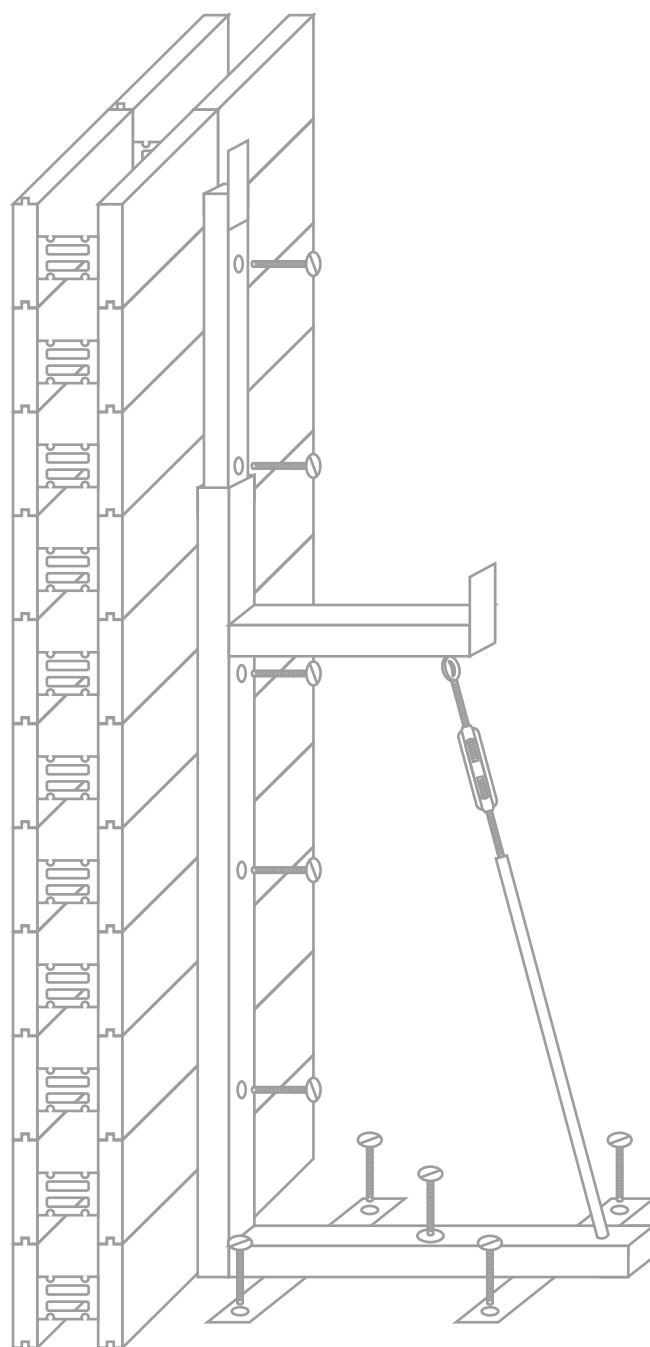
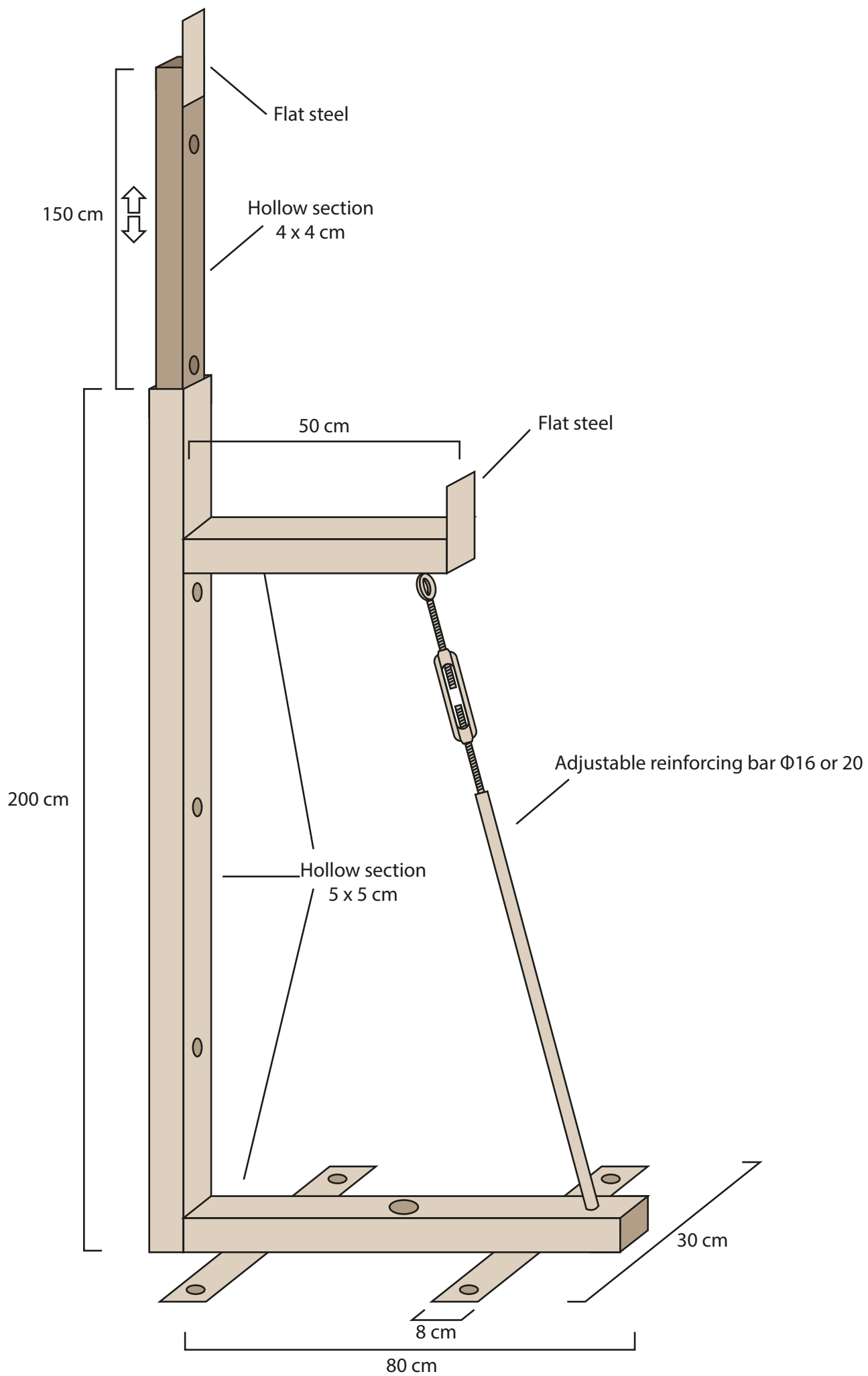


# Wall support for IsoteQ building system







Flat steel



Flat steel



Adjustable reinforcing bar  $\Phi 16$  or  $20$

